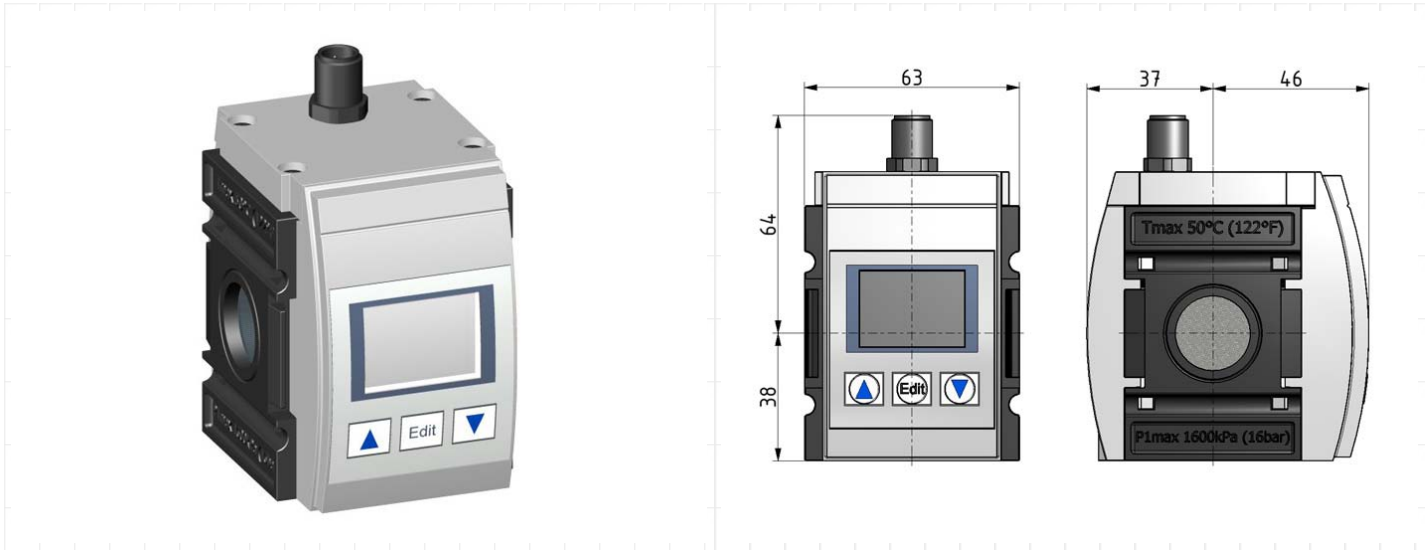


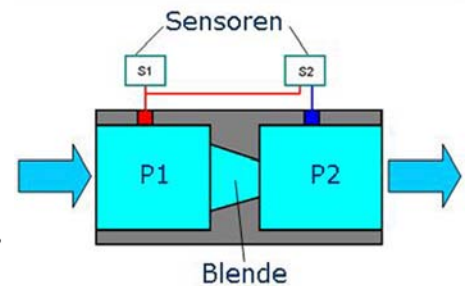
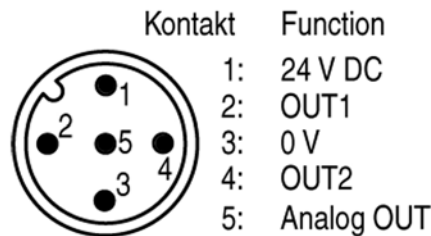
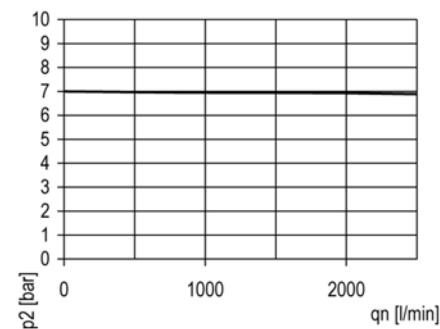
## Special products

Maintenance free sensor Qmax:2000 l/min 0-10 V



type	article-number	series	port size	flow rate	analogue output	weight
FM	FM-2000-0-10V	Y	without	2000 l/min	0 - 10 V	0.425 kg

flow characteristic	plug assignment	symbol
---------------------	-----------------	--------



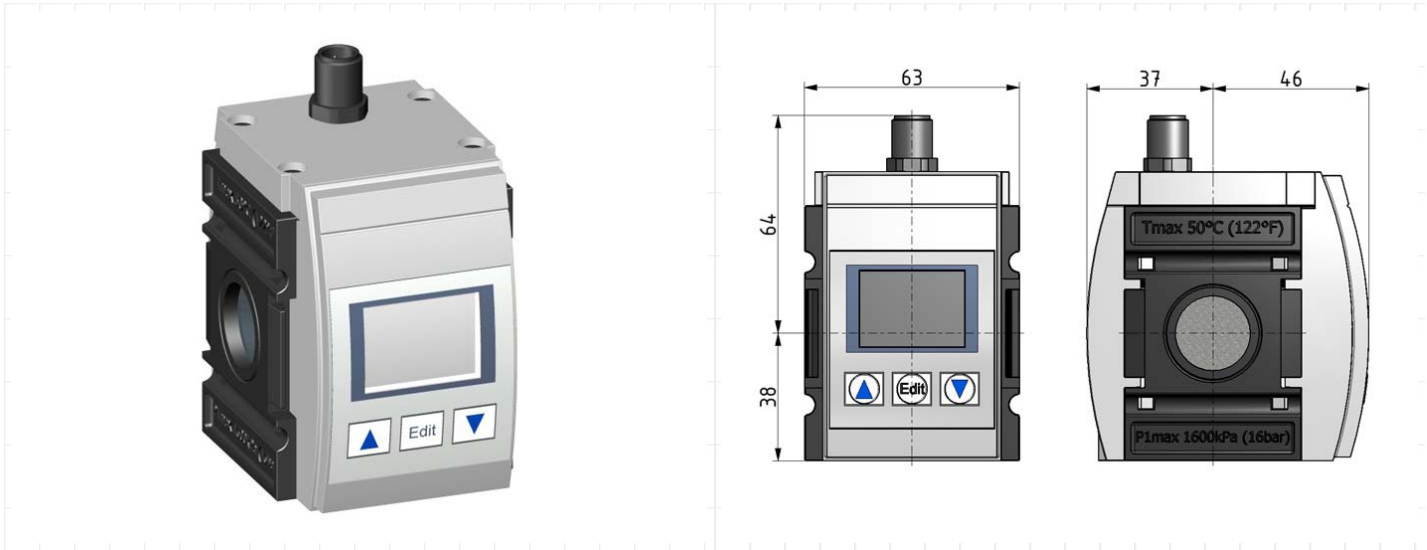
technical data	accessories
----------------	-------------

description: flow sensor  
 medium: compressed air, neutral gases  
 supply pressure P1 max.: 16 bar  
 temperature range: 0 - 50°C (other temperature ranges available on request)  
 voltage: 24 V =  
 el. power (d.c. voltage): 1 - 2,5 W  
 el. power (a.c. voltage): 3 VA  
 protection class: IP 65 according to DIN 40050  
 electrical connection: M12x1 5-pins  
 2 switching outputs: PNP / NPN  
 air quality class: 5:4:3 according to ISO 8573-1 : 2010

coupling kit wall mounting: G 3/8 ; G 1/2 ; G 3/4  
 mounting bracket:  
 angled line socket: M12x1 5-pins with injection moulded cable 5 m ZG.0-251

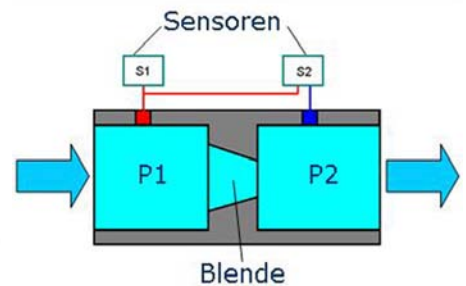
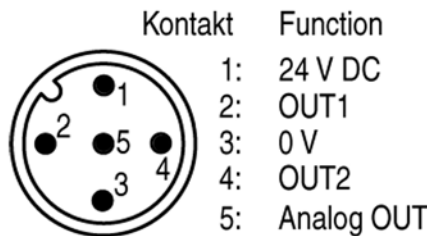
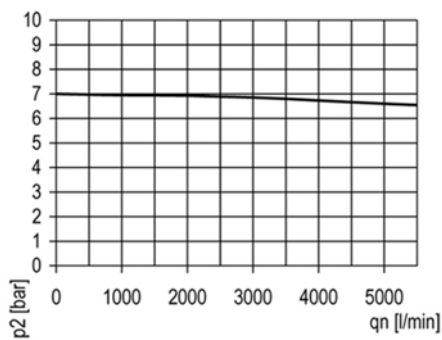
## Special products

Maintenance free sensor Qmax:5000 l/min 0-10 V



type	article-number	series	port size	flow rate	analogue output	weight
FM	FM-5000-0-10V	Y	without	5000 l/min	0 - 10 V	0.425 kg

flow characteristic	plug assignment	symbol
---------------------	-----------------	--------



technical data	accessories
----------------	-------------

description: flow sensor  
 medium: compressed air, neutral gases  
 supply pressure P1 max.: 16 bar  
 temperature range: 0 - 50°C (other temperature ranges available on request)  
 voltage: 24 V =  
 el. power (d.c. voltage): 1 - 2,5 W  
 el. power (a.c. voltage): 3 VA  
 protection class: IP 65 according to DIN 40050  
 electrical connection: M12x1 5-pins  
 2 switching outputs: PNP / NPN  
 air quality class: 5:4:3 according to ISO 8573-1 : 2010

coupling kit wall mounting: G 3/8 ; G 1/2  
 G 3/4  
 mounting bracket:  
 angled line socket: M12x1 5-pins with injection moulded  
 cable 5 m ZG.0-251

### AIRTEC Pneumatic Sweden AB

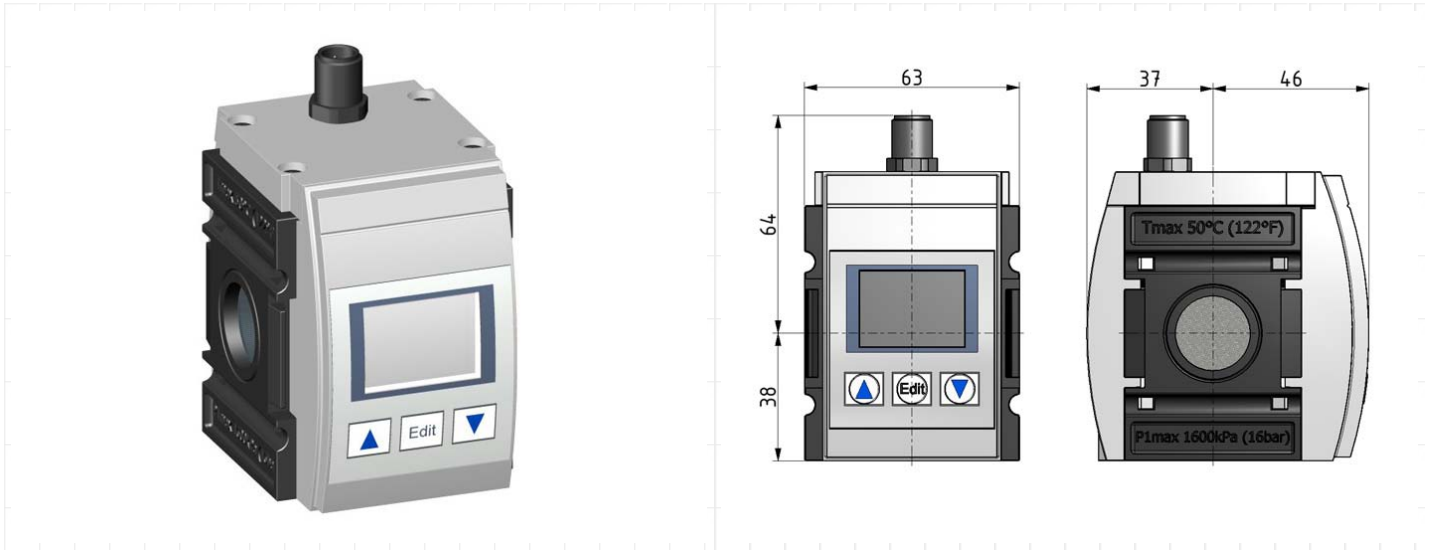
Box 120  
 283 22 Osby

Telefon 0479 - 126 00  
 Telefax 0479 - 127 19

[www.airtec.se](http://www.airtec.se)

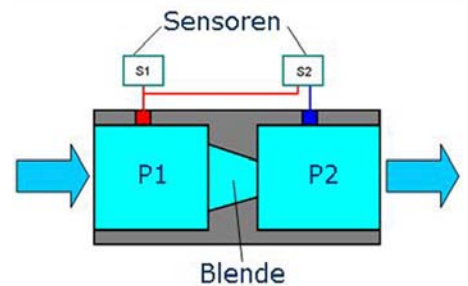
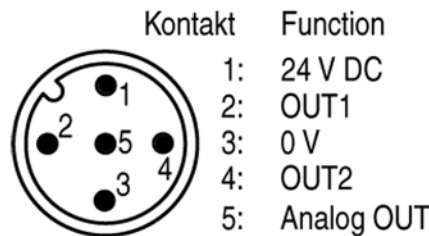
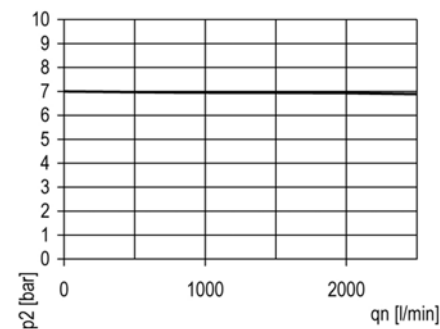
## Special products

Maintenance free sensor Qmax:2000 l/min 4-20 mA



type	article-number	series	port size	flow rate	analogue output	weight
FM	FM-2000-4-20MA	Y	without	2000 l/min	02 - 4 - 20 mA	0.425 kg

flow characteristic	plug assignment	symbol
---------------------	-----------------	--------



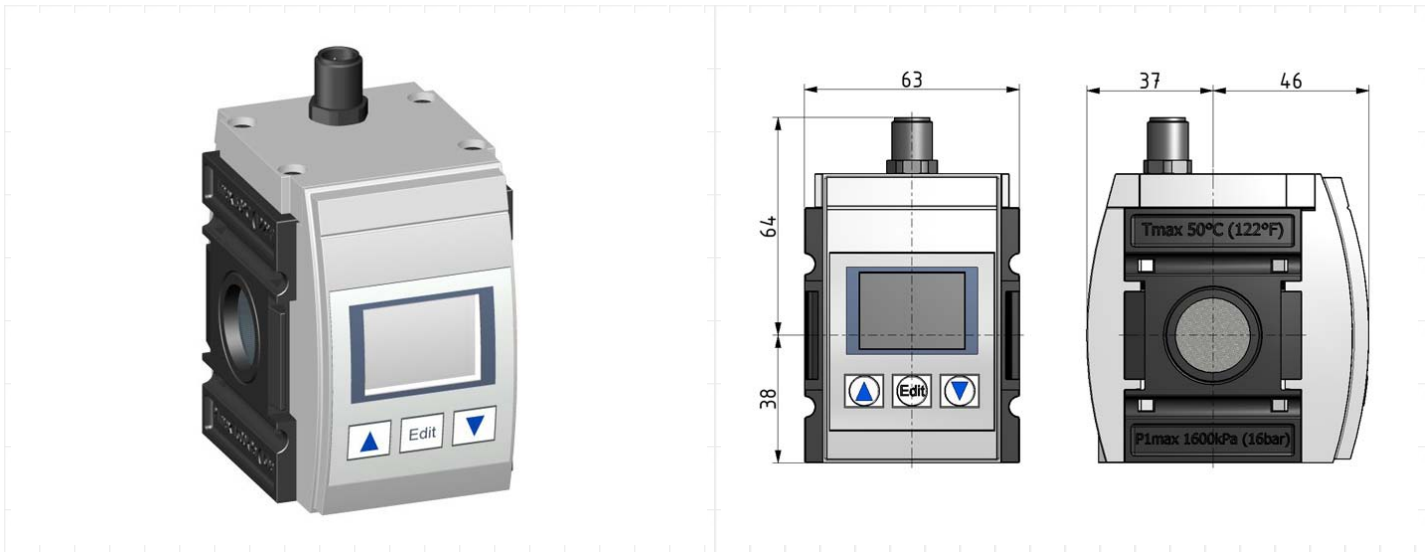
technical data	accessories
----------------	-------------

description: flow sensor  
 medium: compressed air, neutral gases  
 supply pressure P1 max.: 16 bar  
 temperature range: 0 - 50°C (other temperature ranges available on request)  
 voltage: 24 V =  
 el. power (d.c. voltage): 1 - 2,5 W  
 el. power (a.c. voltage): 3 VA  
 protection class: IP 65 according to DIN 40050  
 electrical connection: M12x1 5-pins  
 2 switching outputs: PNP / NPN  
 air quality class: 5:4:3 according to ISO 8573-1 : 2010

coupling kit wall mounting: G 3/8 ; G 1/2  
 G 3/4  
 mounting bracket:  
 angled line socket: M12x1 5-pins with injection moulded  
 cable 5 m ZG.0-251

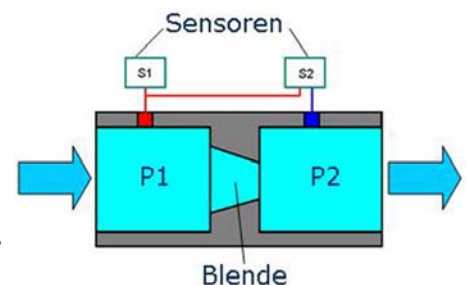
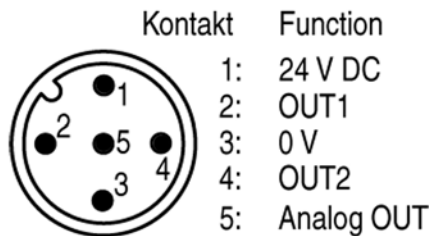
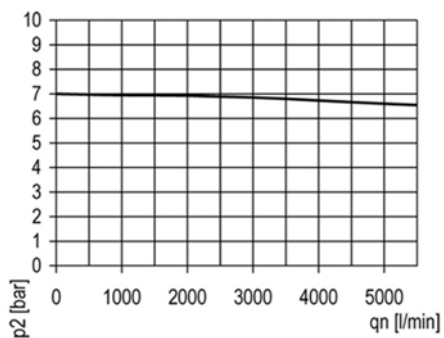
## Special products

Maintenance free sensor Qmax:5000 l/min 4-20 mA



type	article-number	series	port size	flow rate	analogue output	weight
FM	FM-5000-4-20MA	Y	without	5000 l/min	02 - 4 - 20 mA	0.425 kg

flow characteristic	plug assignment	symbol
---------------------	-----------------	--------



technical data	accessories
----------------	-------------

description: flow sensor  
 medium: compressed air, neutral gases  
 supply pressure P1 max.: 16 bar  
 temperature range: 0 - 50°C (other temperature ranges available on request)  
 voltage: 24 V =  
 el. power (d.c. voltage): 1 - 2,5 W  
 el. power (a.c. voltage): 3 VA  
 protection class: IP 65 according to DIN 40050  
 electrical connection: M12x1 5-pins  
 2 switching outputs: PNP / NPN  
 air quality class: 5:4:3 according to ISO 8573-1 : 2010

coupling kit wall mounting: G 3/8 ; G 1/2 ; G 3/4  
 mounting bracket:  
 angled line socket: M12x1 5-pins with injection moulded cable 5 m ZG.0-251